

SUBMERSIBLE GRINDER PUMPS

Model Numbers: D75G, D75GA, D120G, D120GA, D150G, D150GA, DT08G, DT12G, DT15G DT22G & DT37G

DEPEND ON
DAVEY

WATER PRODUCTS



SUMP PUMPS

PRODUCT DESCRIPTION

Submersible pump consisting of a solids handling grinder inlet with a high head open impeller to pump waste water containing soft solids in suspension.

APPLICATIONS

- Grey & Black Water Pumping
- Sump Emptying
- Septic effluent & sewage disposal
- Pumping of waste water with soft solids in suspension

DESIGN FEATURES

PUMP

Heavy duty shredding and grinding ring at inlet.
Centrifugal design, open impeller.
Double Mechanical shaft seal in oil bath.
Hard faced Silicon Carbide / Ceramic seal on pump side.
Sand slinger lip seal for added protection.
Oring casing sealing.
Corrosive resistant stainless steel and quality heavy duty powder coated cast iron pump parts.
Seal sensor leads fitted for easy connection to a protection relay to enable timely repairs prior to motor damage. Not fitted to D75G/GA or DT08G models.

MOTOR

2 pole, 2900rpm 50Hz 240 volt single phase or 415 volt three phase.
Submersible with IPx8 enclosure.
10 metre HO7RN-F oil resistant power lead and seal sensor lead fitted with bared wire lead ends for easy connection to power supply terminations.
Class E insulation.
Protected against both high operating temperatures and high current by a built in automatically resetting thermal overload.

BENEFITS

- Able to pump soft organic solids, sanitary products, thin rubber products and even some textiles in suspension, by shredding to a slurry
- Open impeller prevents blockage of the pump by small solids in the slurry
- High heads and small solids allow connection to small discharge pipe systems, especially suited to pumping waste water to pressure sewer mains
- Silent operation
- Quick and easy installation
- Hose tail supplied with every pump
- Low maintenance
- Fully repairable
- Mounting feet with rubber cushions fitted for a firm and stable positioning during installation and operation for D75G/GA, DT08G, D120G/A, D150G/A, DT12G & DT15G.
- Adaptable to slide rails - see accessories

OPERATING LIMITS

Capacities	290 lpm
Head to	38m
Max. submergence	25m
Max. operating temperature	50°C

Suitable Fluids

Sewage or "Grey Water" of neutral pH containing up to 20% soft organic solids (some wear should be expected while pumping hard solids in suspension).

ACCESSORIES

- These optional accessories are available:
- Slide rail kit - P/No SR50
 - Seal Sensor relay, allows connection to contactor warning system - Part No. 49076
 - Auto float switches are fitted to D75GA, D120GA & D150GA models
 - Separate automatic control panels available for single or multiple pump installations

TECHNICAL SPECIFICATIONS

MATERIALS OF CONSTRUCTION

PART	MATERIAL
Impeller	Cast iron - FC200
Shredding ring	High Chromium steel
Grinding ring	High Chromium steel
Pump casing	Cast iron - FC200
Outlet	Cast iron - FC200
Shaft seal - pump side	Silicon carbide/ceramic
- motor side	Carbon/ceramic
	Mechanical Seals in captive oil bath and oil seal.
Shaft seal elastomer	Nitrile rubber
Pump shaft	304 stainless steel
Orings	Nitrile rubber
Motor shell	304 stainless steel
Handle	304 stainless steel
Fasteners	304 stainless steel
Float & power supply leads	HO7RN-F oil resistant leads

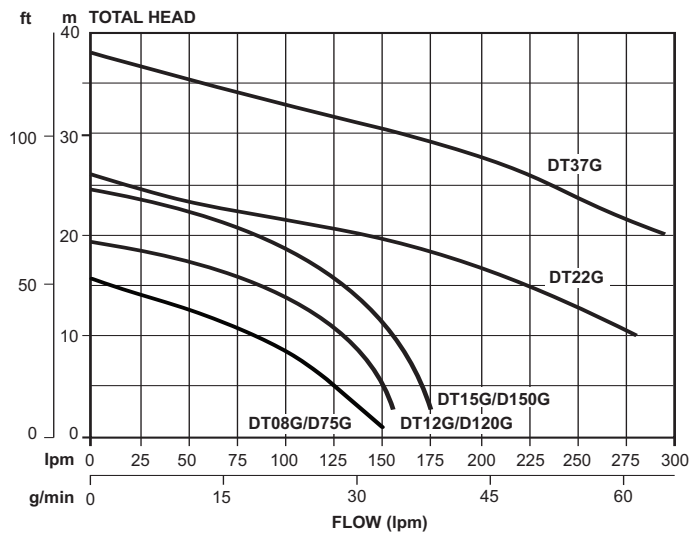
ELECTRICAL DATA

	D75G/GA	D120G/GA	D150G/GA	DT08G	DT12G	DT15G	DT22G	DT37G
Electrical lead	10m							
Phase	Single			Three				
Volts	220-240			380-415				
kW (nameplate)	0.75	1.2	1.5	0.75	1.2	1.5	2.2	3.7
Amps - FL	7.5	10.0	13.0	1.9	2.3	3.0	4.9	8.5
Insulation	E class							

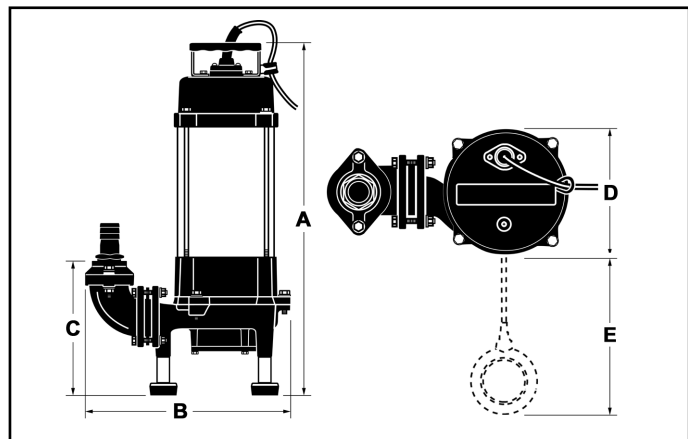
INSTALLATION & PRIMING

Use a rope to position and retrieve the pump. Do not lower or retrieve the pump using the power lead as this may damage the cable entry seals, causing water leaks and unsafe operation. Do not use this product for recirculating or filtering swimming pools, spas, etc. While these pumps are built to high safety standards, they are not approved for installations where people will be in the water while they are operating. Do not pump abrasive materials. Sand and grit in the water being pumped will accelerate wear, causing shortened pump life. Make room for the float switch to operate. Automatic models have a float switch to turn them on when the water level rises and turn them off again when it has been pumped down to the safe operating level of the pump. If the float switch is not free to rise and fall, correct pump operation may not be possible. Don't run your pump dry. Non-automatic models must be switched off manually or by way of an external float/level switch when the water level is reduced to the top of the pump housing.

HYDRAULIC PERFORMANCE



DIMENSIONS



Model	A	B	C	D	E	Outlet BSP	Net Weight (kg)
D75G	515	300	165	180	-	1 1/4" F	30
D75GA	515	300	165	180	230	1 1/4" F	30
D120G	530	305	185	180	-	1 1/4" F	31
D120GA	530	305	185	180	400	1 1/4" F	32
D150G	580	310	185	180	-	1 1/4" F	34
D150GA	580	310	185	180	400	1 1/4" F	35
DT08G	515	300	165	180	-	1 1/4" F	30
DT12G	520	305	185	180	-	1 1/4" F	31
DT15G	570	310	185	180	-	1 1/4" F	34
DT22G	520	350	210	240	-	2" F	49
DT37G	530	350	210	240	-	2" F	52

All dimensions in mm unless otherwise stated.



Davey Water Products Pty Ltd

Member of the GUD Group
ABN 18 066 327 517

AUSTRALIA
Head Office and Manufacturing
 6 Lakeview Drive,
 Scoresby, Australia 3179
 Ph: +61 3 9730 9222
 Fax: +61 3 9753 4100
 Website: davey.com.au

Davey Support Centre
 Ph: 1300 369 100
 Fax: 1300 369 119
 E-mail: sales@davey.com.au

NEW ZEALAND
 7 Rockridge Avenue,
 Penrose, Auckland 1061
 Ph: +64 9 570 9135
 Fax: +64 9 527 7654
 E-mail: sales@daveynz.co.nz
 Website: daveynz.co.nz

Davey Support Centre
 Ph: 0800 654 333

REST OF WORLD
 6 Lakeview Drive,
 Scoresby, Australia 3179
 Ph: +61 3 9730 9121
 Fax: +61 3 9753 4248
 E-mail: export@davey.com.au
 Website: davey.com.au



This literature is not a complete guide to product usage. Further information is available from your Davey dealer, Davey Customer Service Centre and from the relevant product Installation and Operating Instructions. This data sheet must be read in conjunction with the relevant product Installation and Operating Instructions and all applicable statutory requirements. Product specifications may change without notice.
 © Davey is a registered trademark of Davey Water Products Pty Ltd. © Davey Water Products Pty Ltd 2012.